

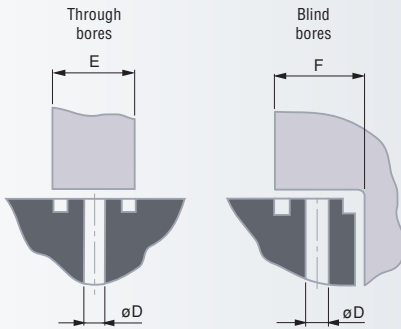
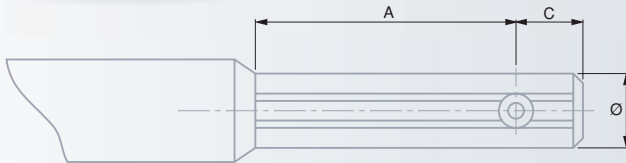
MERCER Air Plug Gauges

Made to measure diameters and detect form deviations on cylindrical bores.

- Application ranges from 1,30 up to 150 mm/0.051 up to 5.9 in.
- Bayonet connector for rapid gauge assembly.
- Air plugs with 2 jets spaced 180° apart from one another.

MERCER Miniature Air Plug Gauges 1,30 to 3,00 mm/0.051 to 0.118 in diameters

- Hand-held plug gauges for through and blind bores.
- Air plugs up to 2,29 mm/0.090 in are designed for blind bores only.



Important

When asking for a quotation or writing down your order, it is important to state your requirements according to the information on page O-6).



mm



µm



A mm

C mm

C1 mm*

D mm

E mm

F mm

Metric versions

1,30 ÷ 2,29	≤ 10	9,6		1,5	≤ 0,25	≥ 1,02	≥ 2,3
2,29 ÷ 2,64	≤ 20	15,9	6,4	1,5	≤ 0,46	≥ 1,32	≥ 2,4
2,64 ÷ 3,00	≤ 30	15,9	6,4	1,5	≤ 0,64	≥ 1,63	≥ 2,5



in



in



A in

C in

C1 in*

D in

E in

F in

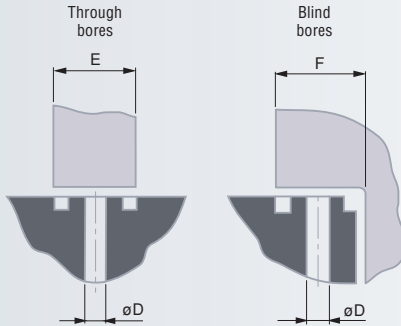
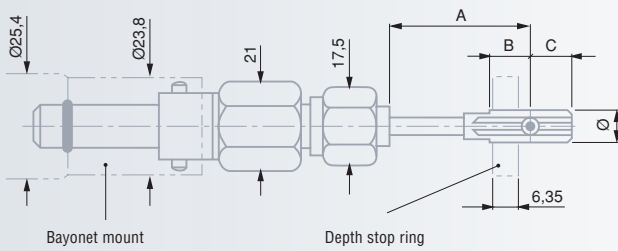
Inch versions

0.051 ÷ 0.090	≤ 0.0004	0.377		0.06	≤ 0.010	≥ 0.040	≥ 0.090
0.090 ÷ 0.104	≤ 0.0008	0.625	0.25	0.06	≤ 0.018	≥ 0.052	≥ 0.095
0.104 ÷ 0.118	≤ 0.0012	0.625	0.25	0.06	≤ 0.025	≥ 0.064	≥ 0.100

* Air plugs for blind bores only.

MERCER Air Plug Gauges – Standard Style S
3,10 to 6,30 mm/0.12 to 0.25 in diameters

- Measure through bores and blind bore.
- Can be directly mounted on CLEARLINE 2, MULTI-WAY CLEARLINE or Air/Electronic Converters or used in conjunction with the Universal Handle.



Important

When asking for a quotation or writing down your order, it is important to state your requirements according to the information on page O6).



mm



µm



A mm*

B mm

C mm

C1 mm**

D mm

E mm

F mm

Metric versions

3,10 ÷ 4,10	≤ 30	33,3	12,8	6,5	3,0	≤ 0,64	≥ 1,63	≥ 4,0
4,20 ÷ 6,30	≤ 50	33,3	10,0	9,5	3,0	≤ 1,00	≥ 2,49	≥ 4,2



in



in



A in*

B in

C in

C1 in**

D in

E in

F in

Inch versions

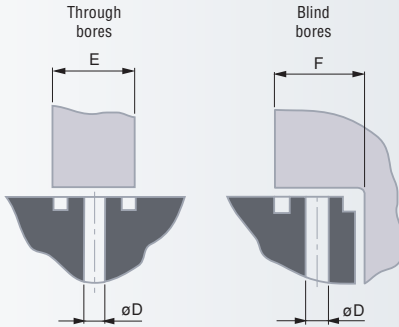
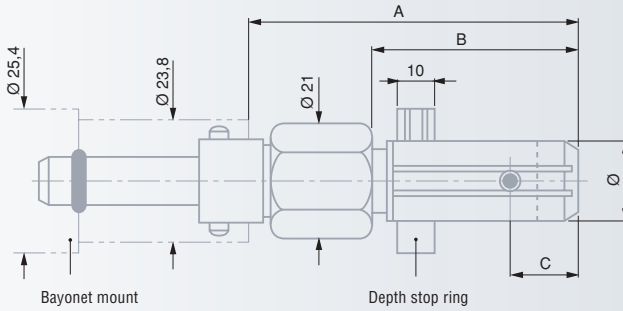
0.12 ÷ 0.16	≤ 0.0012	1.311	0.51	0.26	0.12	≤ 0.025	≥ 0.06	≥ 0.16
0.16 ÷ 0.25	≤ 0.0020	1.311	0.39	0.37	0.12	≤ 0.04	≥ 0.10	≥ 0.17

* For deep hole measurement, special designs also available to increase the dimension A by 25, 50 or 75 mm/1, 2 or 3 in.

** Air plug gauges for blind bores only.

**MERCER Air Plug Gauges – Standard Style M
6,3 to 62,0 mm/0.25 to 2.5 in diameters**

- Measure for both through bores and blind bores.
- Can be directly mounted CLEARLINE 2, MULTI-WAY CLEARLINE or Air/Electronic Converters or used in conjunction with the Universal Handle.



Important
When asking for a quotation or writing down your order, it is important to state your requirements according to the information on page O-6).



mm



µm



A mm*

B mm

C mm

C1 mm**

D mm

E mm

F mm

Metric versions

6,3 ÷ 8,0	≤ 100	61,1	38	13,0	3,0	≤ 1,5	≥ 3,0	≥ 4,5
8,0 ÷ 14,0	≤ 100	61,1	38	13,0	3,0	≤ 1,5	≥ 3,0	≥ 4,5
14,0 ÷ 62,0	≤ 100	61,1	40	13,0	3,0	≤ 1,5	≥ 3,0	≥ 4,5



in



in



A in*

B in

C in

C1 in**

D in

E in

F in

Inch versions

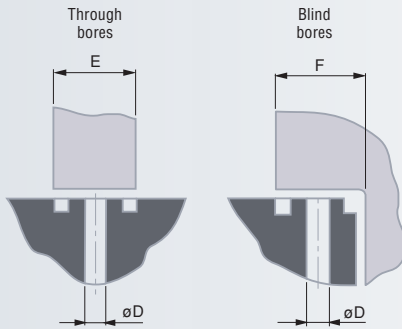
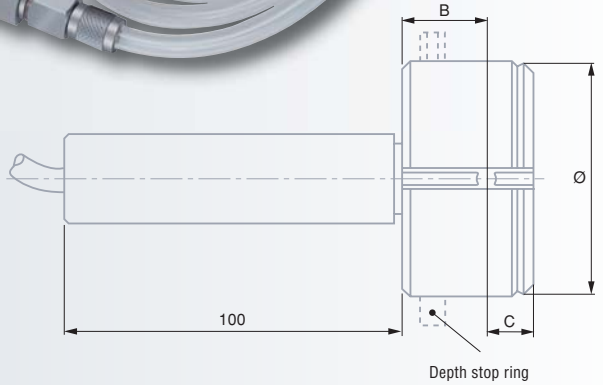
0.25 ÷ 0.32	≤ 0.004	2.41	1.50	0.51	0.12	≤ 0.06	≥ 0.12	≥ 0.18
0.32 ÷ 0.55	≤ 0.004	2.41	1.50	0.51	0.12	≤ 0.06	≥ 0.12	≥ 0.18
0.55 ÷ 2.5	≤ 0.004	2.52	1.57	0.51	0.12	≤ 0.06	≥ 0.12	≥ 0.18

* For deep hole measurement, special designs with nominal diameters from 6,3 to 14,0 mm/0.25 to 0.55 in can also be made available to increase the dimension A by 25, 50, 75, 100 or 200 mm/1, 2, 3, 4 or 8 in.
For plug gauges above 14 mm, extensions may be mounted (see page O-17).

** Air plug gauges for blind bores only.

**MERCER Air Plug Gauges – Standard Style L
62 to 150 mm/2.44 to 5.9 in diameters**

- Measure both through and blind bores.
- Provided with hand grip and flexible hose.
- 200 or 300 mm/8 or 12 in long hand grip available in addition to the standard one with a length of 100 mm/4 in.



Important

When asking for a quotation or writing down your order, it is important to state your requirements according to the information on page O-6).



mm



µm



B mm

B1 mm*

C mm

C1 mm*

D mm

E mm

F mm

Metric versions

62,0 ÷ 150

≤ 100

24,0

34,0

13,0

3,0

≤ 1,5

≥ 3,0

≥ 4,5



in



in



B in

B1 in*

C in

C1 in*

D in

E in

F in

Inch versions

2.44 ÷ 5.9

≤ 0.004

0.95

1.34

0.51

0.12

≤ 0.06

≥ 0.12

≥ 0.18

* Air plug gauges for blind bores only.