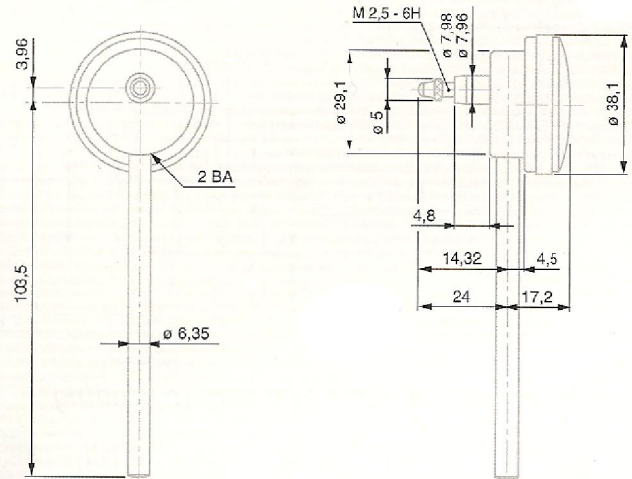
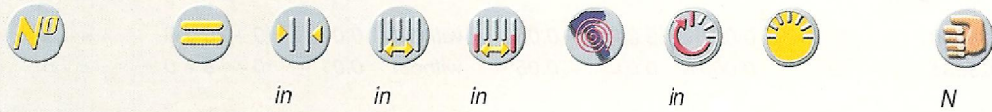


MERCER Precision Dial Gauges with Back Mounted Plunger Ø 1 1/2 in / 38 mm – Standard Series 90



Inch Versions - 0.001 in Reading



Regular models

01426060	91	0.001	0.05	0.14	without	0.05	C ÷ 25 ÷ 0	≤ 1,5
01426061	92	0.001	0.05	0.14	without	0.05	C ÷ 25 ÷ 50	≤ 1,5

Metric Versions - 0,01 mm Reading



Regular models

01416060	93	0,01	1	3,5	without	1	0 ÷ 50 ÷ 0	≤ 1,5
01416061	94	0,01	1	3,5	without	1	0 ÷ 50 ÷ 100	≤ 1,5

Accuracy

		0.001 in	0,01 mm
	Deviation span, F _e	0.0010 in	25 µm
	Total deviation span, F _{ges}	0.0015 in	40 µm
	Repeatability limit, F _w	0.0005 in	12 µm
	Max. hysteresis, F _u	0.0005 in	12 µm

Accessories for MERCER Dial Gauges - Series 90

Lever Probe



Amplification
1 : 1

03560078

