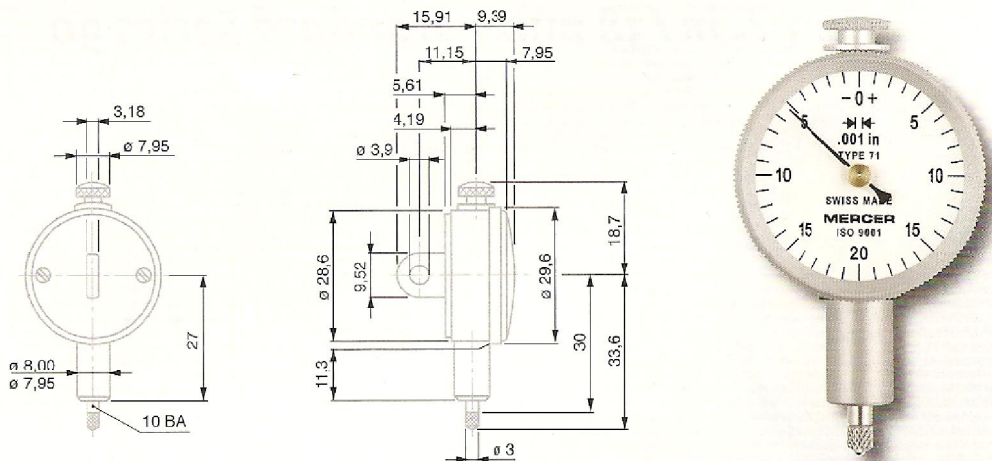


# MERCER Precision Dial Gauges

## Ø 1 1/8 in / 29 mm – Standard Series 70



### Inch Versions - 0.001 in or 0.0001 in Reading



Regular models

01426050	71	0.001	0.04	0.05	without	0.04	0 ÷ 20 ÷ 0	≤ 1,5
01426051	73	0.0001	0.01	0.05	without	0.01	0 ÷ 5 ÷ 0	≤ 1,5

### Metric Versions - 0,01 mm or 0,002 mm Reading



Regular models

01416050	72	0,01	1	1,2	without	1	0 ÷ 50 ÷ 0	≤ 1,5
01416051	74	0,002	0,2	1,2	without	0,2	0 ÷ 10 ÷ 0	≤ 1,5

### Accuracy

		0.001 in	0.0001 in	0,01 mm	0,002 mm
	Deviation span, $F_s$	0.0005 in	0.0005 in	10 $\mu$ m	6 $\mu$ m
	Total deviation span, $F_{ges}$	0.0008 in	0.0007 in	13 $\mu$ m	9 $\mu$ m
	Repeatability limit, $F_w$	0.0003 in	0.0002 in	3 $\mu$ m	2 $\mu$ m
	Max. hysteresis, $F_u$	0.0003 in	0.0002 in	3 $\mu$ m	3 $\mu$ m